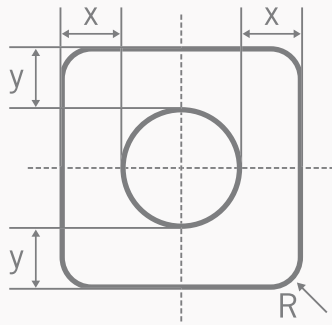


List of tools

OF-OK® Copper Hollow Conductors

Square with a round hole



Square with a round hole

NO	OD	ID	x = y	R	Kg/m
8393	7	4.5	1.25	1	0.288
7055	7	5	1	1.9	0.235
6828	7	5	1	0.7	0.26
8481	7x7/6.6	5	1	0.7	0.252
8172	7.1	4	1.55	1	0.33
6872	7.1	4.5	1.3	1	0.3
8334	7.14	2.92	2.11	1	0.39
8492	7.4	3.4	2	1	0.4
8105	7.5	3.14	2.18	0.5	0.43
8138	7.5	3.4	2.05	1	0.41
8504	7.5	4	1.75	1	0.38
8571	7.5x7.5/7.1	4.5	1.5	0.5	0.351
6076	7.5	4.5	1.5	1	0.36
8213	7.5	5	1.25	1	0.32
7056	7.5	5.5	1	1	0.283
8338	7.7	4.4	1.65	1	0.39
6068	7.87	4.57	1.65	0.76	0.4
8502	7.95	4.32	1.815	1	0.426
8591	8	2	4	1	0.42
8318	8	3	2.5	1	0.5
8136	8	3.5	2.25	1	0.48
6817	8	4	2	1	0.45
8548	8x8/7.4	4	2	1	0.442
8256	8	4.4	1.8	1	0.429
6090	8	4.5	1.75	1	0.44
8251	8	4.8	1.6	1	0.4
8554	8x8/7.4	5	1.5	1	0.379
6829	8	5	1.5	0.5	0.39
6091	8	5	1.5	1	0.38
7086	8/7.6	5	1.5	1.5	0.37
8480	8	5.5	1.25	1	0.35
8128	8	6	1	1	0.31
8349	8.25	4.6	1.83	1	0.45
6820	8.25	5.5	1.38	1	0.38
8582	8.25	5.72	2.53	1	0.371
6830	8.3	5.2	1.55	1	0.43
10002	8.4	6.3	1.05	1	0.344
6891	8.5	3.2	2.65	0.5	0.57
7084	8.5/7.8	3.2	2.65	1	0.55
8512	8.5	4	2.25	1	0.53
8441	8.5	4.5	2	1	0.496
8523	8.5	5.3	1.6	1	0.441
8228	8.5	5.5	1.5	1	0.427
6892	8.5	6.5	1	2	0.32
8386	8.64	4.65	1.995	0.75	0.511
8286	8.64	4.66	1.99	1.5	0.497
8304	8.8	4	2.4	1	0.57
6843	8.8	6	1.4	1	0.43
8188	8.8	7	0.9	1	0.33
6070	8.89	4.77	2.06	0.76	0.52
7076	9	4	2.5	1	0.6
8182	9	4.5	2.25	1	0.58
8106	9	5	2	1	0.54
8208	9	5.2	1.9	1	0.532
6807	9	5.5	1.75	1	0.5
6842	9	5.7	1.65	1	0.48
8458	9x9/8.6	6	1.5	1	0.456
6092	9	6	1.5	1	0.46
6834	9	6.5	1.25	1	0.42
7081	9	7	1	1	0.372
8252	9.2	4	2.6	1	0.64
8415	9.26	5.18	2.04	1	0.57

Square with a round hole

NO	OD	ID	x = y	R	Kg/m
8529	4	2	1	0.5	0.113
6844	4	2.5	0.75	0.5	0.098
8350	4.19	2.4	0.895	0.8	0.11
8301	4.3	2.34	0.98	0.76	0.12
8153	4.5	2.5	1	1	0.136
8206	4.62	2.39	1.11	0.76	0.15
8150	4.76	3.18	0.79	1	0.124
6867	5	2	1.5	1	0.179
8215	5	2.5	1.25	1	0.172
6831	5	3	1	0.7	0.157
8503	5.18	2.87	1.155	1	0.17
8565	5.6	2.5	1.55	1	0.248
8416	5.6	3.05	1.275	1	0.21
6881	5.6	3.6	1	1	0.183
8339	5.79	3.18	1.305	1	0.22
8556	6	2.5	1.75	1	0.27
8235	6x6//5.6	3	1.5	1	0.25
8283	6	3	1.5	1	0.25
6860	6	3.5	1.25	0.8	0.23
6835	6	4	1	1	0.2
8408	6x6/5.6	4	1	1	0.197
8204	6	4.5	0.75	1	0.173
8405	6.15	2.54	1.805	0.635	0.29
8417	6.35	3.15	1.6	1	0.28
8490	6.35	3.63	1.36	1.27	0.26
8581	6.35	3.63	1.36	1	0.28
8149	6.35	4.75	0.8	1.27	0.19
8424	6.4	3	1.7	1	0.3
6873	6.4	4.4	1	1	0.23
8385	6.48	3.18	1.65	1	0.297
6858	6.5	3	1.75	1	0.3
8325	6.5	3.1	1.7	0.8	0.31
6869	6.5	3.5	1.5	1	0.28
8156	6.5	4	1.25	0.5	0.26
7096	6.5	4	1.25	0.7	0.26
8125	6.5	4.5	1	1	0.22
7094	6.55	3.64	1.46	1	0.283
8132	6.7	4	1.35	1	0.28
6851	7	3	2	1	0.36
6809	7	3.5	1.75	1	0.34
8141	7	3.7	1.65	1	0.33
6836	7	4	1.5	1	0.32
8371	7x7/6.8	4	1.5	1	0.315
8477	7	4.3	1.35	1	0.301

Square with a round hole

NO	OD	ID	x = y	R	Kg/m
8165	9.4	4.5	2.45	1	0.64
6866	9.4	4.5	2.45	2	0.61
8579	9.5	3	3.25	1	0.735
8575	9.5	4	2.75	1	0.687
8147	9.5	4.5	2.5	1	0.66
8452	9.5x9.5/9.1	5	2.25	1	0.567
8288	9.5	5	2.25	1	0.624
6889	9.5	5.5	2	1	0.59
8319	9.5	5.5	2	1.6	0.57
8157	9.5	5.7	1.9	1	0.56
8303	9.52	4.83	2.35	0.8	0.64
6096	9.52	6.35	1.58	1	0.52
7090	9.52	6.35	1.58	1.3	0.514
8173	9.7	6	1.85	1	0.58
8214	9.7	7.6	1.05	1	0.43
8244	9.7	7.9	0.9	1	0.4
8237	10	4	3	1	0.77
6077	10	5	2.5	1	0.71
8139	10	5.7	2.15	1	0.66
6097	10	6	2	1	0.63
7085	10/9.5	6	2	1	0.62
6067	10	6.5	1.75	1	0.6
8454	10x10/9.4	7	1.5	1	0.534
8254	10	7	1.5	1	0.54
8501	10	7.5	1.25	1	0.491
7068	10.16	4.47	2.845	1	0.78
8366	10.16	4.78	2.69	1	0.755
6080	10.16	6.35	1.9	1.75	0.62
6894	10.3	6	2.15	1	0.69
8229	10.3	6.5	1.9	1	0.652
6808	10.31	7.92	1.2	1.6	0.49
8230	10.39	5.82	2.28	1.27	0.715
8205	10.5	5	2.75	1	0.803
8390	10.5x10.5/9.9	5	2.75	1	0.789
8450	10.5	5.25	2.625	0.5	0.73
8496	10.5	5.5	2.5	1	0.765
8406	10.5x10.5/9.9	6	2.25	1	0.712
6074	10.5	6	2.25	1.75	0.71
6848	10.5	6.2	2.15	1	0.71
8535	10.5x10.5/10.1	6.5	2	1	0.668
8112	10.7	5.5	2.6	1	0.81
8127	10.9	6.15	2.38	2	0.76
7008	11	4	3.5	1	0.962
8309	11	4.5	3.25	1	0.93
6884	11	5	3	1	0.9
7031	11	5.5	2.75	1	0.862
8572	11x11/10.4	6	2.5	1	0.807
6814	11	6	2.5	1	0.82
6060	11	6.5	2.25	1	0.77
6081	11	6.5	2.25	1	0.78
6847	11	6.7	2.15	1	0.76
8143	11	7	1.5	1	0.74
8178	11	7.3	1.85	1	0.7
8459	11	8.8	1.1	1	0.53
8323	11.11	5.56	2.78	2	0.86
8369	11.11	6.4	2.355	0.6	0.813
7089	11.18	4.72	3.23	1	0.95
6853	11.2	5	3.1	1	0.94
6875	11.2	6	2.6	2	0.84
8111	11.2	6.15	2.53	2	0.82
8584	11.2	6.5	2.35	1	0.817
6852	11.2	7.4	1.9	1	0.73

Square with a round hole

NO	OD	ID	x = y	R	Kg/m
8484	11.5	5	3.25	1	1
7057	11.5	7	2.25	1	0.83
6849	11.5	7.5	2	1	0.78
8549	11.5	8.5	1.5	1	0.667
8438	11.6	6.5	2.55	1	0.91
6841	11.6	6.7	2.45	1	0.88
8411	11.68	5.72	2.98	1	0.98
8345	11.68	6.48	2.6	1	0.92
8347	11.89	7.42	2.24	1.27	0.86
8324	12	5	3.5	1	1.1
8475	12	5.5	3.25	1	1.06
6094	12	6	3	1	1.03
8573	12x12/11.44	6	3	1	1.012
8361	12x12/11.7	6.5	2.75	1	0.975
6865	12	6.5	2.75	1.5	0.99
6082	12	7	2.5	1	0.94
8131	12	7.3	2.35	1	0.9
8113	12	7.5	2.25	1	0.88
8134	12	8	2	1	0.83
8536	12x12/11.4	8.5	1.75	0.5	0.762
8135	12	9	1.5	1	0.69
8578	12.32	6.35	2.985	2	1.04
7015	12.32	6.35	2.985	1.9	1.046
8276	12.32	6.98	2.67	2	0.98
8539	12.34	7.42	2.46	2	0.95
6073	12.5	4	4.25	1.75	1.25
8306	12.5	4.5	4	1	1.25
8373	12.5	7	2.75	1	1.045
7016	12.5	7.5	2.5	1.5	0.985
7034	12.7	4.5	4.1	2.5	1.252
8533	12.7	6	3.35	1	1.172
8384	12.7	6.35	3.175	1.5	1.142
7035	12.7	6.5	3.1	2.5	1.097
8248	13	5	4	1	1.33
8346	13	5.33	3.84	1	1.3
8102	13	5.5	3.75	1	1.29
8449	13	6	3.5	1	1.25
8291	13	6.5	3.25	1	1.21
6813	13	7	3	1	1.16
10000	13	8.5	2.25	1	0.996
8526	13x13/12.4	9	2	0.5	0.922
8185	13	9	2	1	0.93
6819	13	10	1.5	1.5	0.78
8396	13.05	6.35	3.35	1	1.232
8344	13.1	7.3	2.9	2.4	1.12
8207	13.3	5.7	3.8	2	1.33
8354	13.4	9.1	2.15	1	1.02
8445	13.5	5.33	4.085	1	1.42
7067	13.5	6.5	3.5	1.5	1.32
6086	13.5	7.5	3	1	1.22
8531	13.5	8	2.75	1	1.2
8509	13.5	10	1.75	1	0.92
8353	13.6	6	3.8	1	1.39
8516	13.6	6.5	3.55	1	1.349
7006	13.75	6.5	3.625	0.5	1.39
7093	14	5	4.5	2.5	1.53
8426	14	6	4	1	1.49
6887	14	7	3.5	1.5	1.4
8231	14x14/13.3	8	3	1	1.25
8154	14	8	3	1	1.3
8522	14	8.5	2.75	1	1.237
6883	14	9	2.5	1	1.18

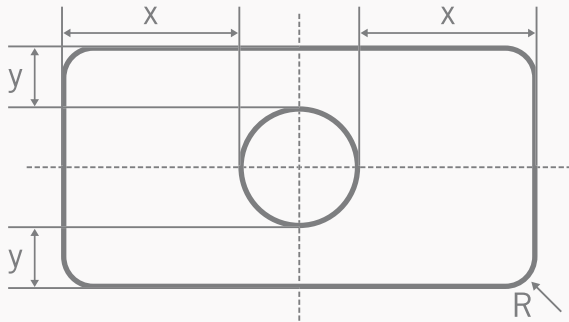
Square with a round hole

NO	OD	ID	x = y	R	Kg/m
7069	14	9.5	2.25	1	1.11
6805	14	10	2	1	1.02
8193	14	11	1.5	1	0.896
8183	14.07	8.48	2.79	1.57	1.24
8176	14.1	5.6	4.25	1	1.55
8163	14.22	9.53	2.35	1.59	1.15
6815	14.5	8	3.25	1.5	1.4
8130	14.9	6	4.45	1	1.73
8491	15	4.5	5.25	1	1.86
8249	15	5.5	4.75	1	1.79
8234	15	6	4.5	1	1.75
8395	15	6.35	4.325	1	1.721
8151	15	7	4	1	1.67
6818	15	7.5	3.75	1	1.6
6823	15	8	3.5	2	1.55
8365	15	8.5	3.25	1	1.497
8402	15	9	3	1	1.435
6850	15	10	2.5	1.5	1.3
8159	15.24	6.35	4.45	2.38	1.75
8187	15.5	5.5	5	1	1.93
8389	15.57	8.8	3.385	1.6	1.604
6877	15.7	10	2.85	2.5	1.45
8558	15.88	8.25	3.815	1.5	1.76
8494	15.88	9.52	3.18	1.5	1.6
6880	16	7	4.5	1.5	1.9
7078	16	8	4	0.635	1.84
8241	16	8	4	1.5	1.82
8203	16	9	3.5	1	1.71
8124	16	10	3	1.5	1.57
7036	16	10	3	2	1.56
8129	16	11	2.5	1	1.43
6826	16	12	2	1.5	1.25
8175	16.13	6.35	4.89	1.57	2.025
8510	16.26	8.13	4.065	1.5	1.88
8140	16.26	10.21	3.03	1.52	1.61
7023	16.3	10.2	3.05	1.6	1.63
8418	16.5	7	4.5	1.5	2.07
8447	16.5	9	3.75	1.5	1.85
8568	16.5	10	3.25	1.5	1.71
8419	16.5	11.5	2.5	1.5	1.49
8220	16.51	9.22	3.65	1.5	1.82
6821	16.7	12.6	2.05	1	1.35
8202	17	5	6	1	2.4
8414	17	5.2	5.9	1	2.39
8541	17	5.33	5.835	1.5	2.38
8155	17	6	5.5	1	2.32
8299	17	6.5	5.25	1	2.28
7066	17	7	5	2	2.21
8281	17	7	5	1	2.23
8479	17	8	4.5	1	2.13
8317	17	10	3.5	1	1.87
6845	17	11	3	1.7	1.72
6089	17	12.3	2.35	3	1.44
8245	17.4	9.3	4.05	1	2.09
6856	17.5	8	4.75	1.5	2.26
8310	17.5	8.7	4.4	1	2.2
7013	17.6	8.5	4.55	1.5	2.255
8532	17.6	8.5	4.55	1	2.255
8397	17.6	9.7	3.95	1	2.101
8158	17.9	7	5.45	2.5	2.47
8121	18	8	5	1.25	2.43

Square with a round hole

NO	OD	ID	x = y	R	Kg/m
7051	18	10	4	1	2.187
8216	18	11	3.5	1.5	2.03
8282	18	13	2.5	1	1.7
8294	18	14	2	1	1.51
7054	18.3	8	5.15	1	2.54
8255	18.3	8	5.15	1	2.54
8381	18.5	10.2	4.15	1.5	2.312
8311	18.5	11	3.75	1	2.2
6846	18.5	11.5	3.5	1.7	2.11
8171	19	10	4.5	1	2.52
8409	19	12	3.5	1.5	2.2
8377	19.05	9.52	4.765	0.8	2.603
8302	19.05	12.7	3.18	4.75	1.94
6854	19.1	12	3.55	2.5	2.2
8209	19.2	12.5	3.35	2.5	2.16
7072	20	7	6.5	1	3.22
7065	20	9	5.5	2	2.98
8456	20	9	5.5	1	2.999
8110	20	9	5.5	1	3
8530	20	10	5	1	2.866
8570	20.1	11	4.55	2.5	2.714
7046	20.1	12	4.05	2.5	2.553
8194	20.1	12	4.05	2.5	2.56
8580	20.3x20/19.7	9	5.5	1	2.999
8564	20.7	12.7	4	1	2.69
6065	21	10.1	5.45	2.5	3.15
8217	21	14	3.5	1.5	2.55
6078	21.29	12.57	4.36	-	2.5
8474	21.4	12.9	4.25	1.9	2.9
8261	22	10.5	5.75	1.5	3.54
6095	22	12	5	2	3.28
6098	22	14	4	2	2.9
6870	23	10	6.5	1.5	4.02
8540	23	18	2.5	1.5	2.44
8118	23.5	8.8	7.35	1.5	4.38
7021	23.8	8	7.9	1.5	4.6
8186	25.4	14.27	5.56	1.27	4.32
7064	26	13	6.5	2.5	4.81
6827	26.5	13.5	6.5	2	4.95
8313	27	13	7	1	5.32
6878	29	12	8.5	3	6.4
6079	29	16	6.5	1	5.7
6810	29	16.2	6.4	2	5.6
8200	30	12	9	2.5	6.99
8257	30	17	6.5	1.5	6
6840	32	10.5	10.75	1.5	8.35
8525	32	19.05	6.475	1.5	6.59
8227	33	12	10.5	2	8.7
6838	33.5	11.5	11	1.5	9.1
6899	35	12	11.5	1.5	9.92
8100	35	12	11.5	2	9.86
8463	38.1	20.32	8.89	2	10.05
8467	38.1	25.4	6.35	2	8.42
8174	46	35	5.5	5	10.14
8594	50	20	15	2	19.51
8272	50	27	11.5	3	17.2
8277	50.8	25.4	12.7	2	18.5
8559	50.8	27	11.9	3.18	17.9
8545	60	20	20	5	29.2
8574	60	31.75	14.125	3.17	25.37
8593	80	50	15	5	39.47

Rectangular with a round hole



Rectangular with a round hole					
NO	OD	ID	x / y	R	Kg/m
8329	4x3	2	1/0.5	0.8	0.07
8330	4.3x4	2.5	0.9/0.75	0.8	0.1
8356	4.67x4.19	2.41	1.13/0.89	0.76	0.13
7014	5.08x4.77	2	1.54/1.385	0.76	0.184
8357	5.08x4.77	2.64	1.22/1.065	0.76	0.163
7026	5.1x4.8	2	1.55/1.4	0.8	0.186
8290	5.8x3.7	2.5	1.65/0.6	0.8	0.143
8560	5.84x4.88	2.64	1.6/1.12	1	1.198
8327	6x4	2.5	1.75/0.75	0.8	0.17
8300	6x5	3	1.5/1	1	0.2
8314	6x5.5	3.5	1.25/1	0.8	0.2
8370	6.1x4	3.2	1.45/0.4	0.6	0.143
8562	6.4x5.6	3	1.7/1.3	1	0.25
8342	7x5	3	2/1	0.6	0.25
8542	7x6	3.5	1.75/1.25	1	0.28
8115	7x6	4	1.5/1	1	0.256
6861	7x6.3	3.4	1.8/1.45	1	0.304
8364	7x8.5	4	1.5/2.25	1	0.412
8521	7.2x4.2	2.5	2.35/0.85	1	0.218
6833	7.5x5	3	2.25/1	0.5	0.27
8280	7.5/7x6	3.3	1.98/1.35	1	0.31
6864	7.5x6	3.5	2/1.25	1	0.308
8260	7.5x7	5.2	1.15/0.9	1	0.275
8331	7.5x8	4	1.75/2	1	0.42
6879	7.6x7.2	3.5	2.05/1.85	1	0.395
8160	7.8x6.25	2.5	2.65/1.87	0.5	0.389
7002	8x4.2	2.2	2.9/1	1	0.259
8328	8x6	3.2	2.4/1.4	0.8	0.35
8103	8x6	3.2	2.4/1.4	1	0.35
8287	8x6	4	2/1	1	0.309
8399	8x6.7	4.5	1.75/1.1	1	0.329
8270	8x6.9	3.5	2.25/1.7	1	0.4
8279	8x7	3.5	2.25/1.75	1	0.41
7063	8x7	4	2/1.5	1	0.38
8242	8x7	4	2/1.5	1	0.381
8537	8/7.66x7	5	1.5/1	1	0.313
7097	8x7	5	1.5/1	1	0.317
8513	8x7.4	4.6	1.7/1.4	1	0.37
6863	8.2x7.2	3.8	2.2/1.7	1	0.417
6862	8.2x7.2	5	1.6/1.1	1	0.343
6857	8.5x5.5	2.7	2.9/1.4	1	0.36
8563	8.5x6.7	4	2.25/1.35	1	0.39
8269	9x7.5	5	2/1.25	1	0.42

Rectangular with a round hole					
NO	OD	ID	x / y	R	Kg/m
8448	9x8.5	5	2/1.75	1	0.5
8195	9.07x8	4.77	2.15/1.61	0.79	0.484
8518	9.3x8	6	1.65/1	1	0.4
7092	9.3x8/R12	5.8	1.75/1.1	12	0.429
8192	9.4x8.15	5.05	2.17/1.55	0.8	0.5
7033	9.5x6.2	4	2.75/1.1	1	0.406
6146	9.5x7.1	3.5	3/1.8	1	0.512
8363	9.5/9.1x8	3.2	3.15/2.4	1	0.593
8348	9.5/9.1x8	5	2.25/1.5	1	0.49
8362	9.5x8/7.4	5	2.25/1.5	1	0.484
6145	10x7.1	3.9	3.05/1.6	1	0.52
6161	10x7.8	4.5	2.75/1.65	1	0.54
8583	10x7.8	5	2.5/1.4	1	0.514
7007	10x8	6	2.000/1.000	1	0.455
8391	10x9	4	3/2.5	1	0.685
8435	10.16x8.38	5.08	2.54/1.65	1.6	0.56
6812	10.5x8.2	4.8	2.85/1.7	1	0.59
7061	10.5x10	6	2.25/2	1	0.678
8258	10.6x7	4	3.3/1.5	1	0.543
8550	10.6x7.4	3.5	3.55/1.95	1	0.607
8372	10.7x8	4.25	3.225/1.875	1	0.631
8133	10.7x8	5.8	2.45/1.1	1	0.52
8355	10.77x9.95	5.82	2.475/2.065	1.25	0.708
8236	11x7	3	4/2	1	0.62
8471	11x7	3.5	3.75/1.75	1	0.59
8557	11x7	4	3.5/1.5	1	0.568
8166	11x7	5	3/1	1	0.51
8392	11/10.4x7	5	3/1	1	0.497
8436	11x8	4	3.5/2	2	0.64
10001	11x8	4.5	3.25/1.75	2.3	0.637
8413	11x8.8/8.6	5	3/1.9	1	0.677
8259	11x9.5	5	3/2.25	1	0.75
6144	11x9.8	6.5	2.25/1.65	1	0.65
8442	11x10	5	3/2.5	1	0.8
8444	11.3x7.8	4.82	3.24/1.49	1.25	0.613
8266	11.5x9.5	6.7	2.4/1.4	1	0.654
8298	11.8x10.3	6	2.9/2.15	1.2	0.82
8507	11.9x8.58	3.96	3.97/2.31	0.8	0.798
7024	11.9x9.4	4.9	3.500/2.250	1	0.82
8577	12x5	3	4.5/1	1	0.466
8470	12x8.3	6.2	2.9/1.05	1	0.61
8527	12x9	5	3.5/2	0.5	0.788
8144	12x9.5	6.5	2.75/1.5	1.5	0.7
6893	12x10	5	3.5/2.5	1	0.89
8212	12x11	7	2.5/2	1	0.83
7060	12.3x11.6	5	3.65/3.3	1	1.09
6801	12.3x11.8	7.4	2.45/2.2	1	0.9
8177	12.6x10	5	3.8/2.5	1	0.94
8374	12.7x6.35	3.81	4.445/1.27	1	0.611
8511	12.7x10.66	6.6	3.05/2.03	1.25	0.892
6751	12.7x12.2	5.6	3.55/3.3	0.79	1.16
8485	13x11	5	4/3	1	1.1
8289	13x11	6	3.5/2.5	1	1.018
8546	13x11	9	2/1	1	0.702
8307	13.2x9	5	4.1/2	1	0.88
8116	13.5x8.25	5.1	4.2/1.58	1	0.81
8253	13.5x11.5	6.3	3.6/2.6	1	1.1
8495	13.5x12.5	9.8	3.7/2.7	1	0.827
6824	13.8x13.1	7.9	2.95/2.6	1	1.16
8378	14x7.6	4.5	4.75/1.55	1	0.801
8528	14x8	5	4.5/1.5	0.5	0.824
8412	14x11.9/11.5	5	4.5/3.45	1	1.292

Rectangular with a round hole

NO	OD	ID	x / y	R	Kg/m
8461	14x12.5	5.86	4.07/3.32	1	1.32
8500	14x12.6	6	4/3.3	1	1.317
6180	14x12.6	8	3/2.3	1	1.12
8233	14.3x11.4	6	4.15/2.7	1.5	1.2
6800	14.4x12.3	6.5	3.95/2.9	1	1.27
7091	14.4x12.3	6.5	3.95/2.9	1	1.28
7070	14.8x12.3	5.8	4.5/3.25	1	1.384
6132	14.9x11.9	6.5	4.2/2.7	1	1.3
8305	15/14x8	4.5	5.25/1.75	1	0.91
8142	15x8	4.5	5.25/1.75	1	0.92
8482	15x8	5	5/1.5	1	0.89
8219	15x9.5	6.5	4.25/1.5	1	0.97
8180	15x10	5	5/2.5	1	1.16
6802	15x11.8	6.5	4.25/2.65	1	1.27
8427	15/14.2x11.8	6.5	4.25/2.65	0	1.256
6140	15x12.5	7	4/2.75	1.75	1.3
8322	15x13	6.1	4.45/3.45	1.5	1.46
8497	15x13.7	8	3.5/2.85	1	1.38
6896	15.2x12.75	8	3.6/2.38	2	1.25
6822	15.4x10	4	5.7/3	1.5	1.25
8590	15.6x14.7	6.4	4.625/4.175	0.76	1.76
8561	16x8.5	4.5	5.75/2	1	1.07
8437	16x9.5	5	5.5/2.25	1	1.176
8351	16x10	5	5.5/2.5	2	1.22
8586	16x10.5/10	6	4.75/2	1	1.16
8483	16x14	6.5	4.75/3.75	1.5	1.69
8179	16x14	7	4.5/3.5	1.5	1.64
6181	16x14.5	10	3/2.25	1	1.36
8451	16/15.2x15	9	3.5/3	1	1.543
7029	16.078x9.957	3.2	6.439/3.379	0.99	1.35
8455	16.2x10	4.77	5.715/2.615	1	1.26
6160	16.3x10.8	6.6	4.85/2.1	1	1.24
8588	16.3x10.8/10.2	6.6	4.85/2.1	1	1.22
8181	16.5x8.9	5.2	5.65/1.85	1.5	1.12
8278	16.5x12.5	7.35	4.58/2.58	1	1.46
6855	16.5x12.5	8.2	4.15/2.15	1	1.36
8394	16.5x12.5	8.2	4.15/2.15	0.5	1.37
6890	16.75x8.6	5.5	5.63/1.55	0.5	1.08
8460	17x14.5	10	3.5/2.25	1	1.494
8190	17x15	6.4	5.3/4.3	2	1.96
8429	17x16	6	5.5/5	1.5	2.16
8170	17x16	9	4/3.5	1.5	1.84
8196	17.4x10.7	6.1	5.65/4.6	1.5	1.385
7028	17.907x15.316	3.2	7.354/6.058	0.99	2.37
8221	18x8	4	7/2	1.5	1.16
6832	18x10	6	6/2	0.5	1.34
8400	18x11.2	6.6	5.7/2.3	1.5	1.48
6888	18x12	8	5/2	1	1.48
8336	18x12.65	9.5	4.25/1.58	1	1.39
8428	18/17.2x14	10	4/2	1	1.52
8439	18x14	10	4/2	1	1.534
8232	18x15	8	5/3.5	2	1.93
8326	18x15	8.5	4.75/3.25	2	1.88
7004	18.5x9	6	6.25/1.5	0.5	1.234
7047	18.5x9	6	6.25/1.5	1.5	1.219
6806	18.54x10.46	4.96	6.79/2.75	1.52	1.54
8169	18.9x11.4	7	5.95/2.2	1.5	1.56
8508	19x12.5	9	5/1.75	1.5	1.54
8122	19x13	8	5.5/2.5	1	1.75
7025	19x14	6	6.5/4.0	1	2.118
7005	19x15	8.5	5.25/3.25	1.5	2.02
8453	19x16	7	6/4.5	1	2.4

Rectangular with a round hole

NO	OD	ID	x / y	R	Kg/m
8167	19.05x7.92	4.75	7.15/1.59	1.59	1.17
8517	19.05x15.88	8	5.525/3.94	2	2.22
8498	19.05x15.88	10.80	4.13/2.54	4.75	1.7
8776	19.05x15.88	12.7	3.18/1.59	4.75	1.4
8553	19.05/18.05x15.888	5.525/3.94	2/2	2.19	0
8506	19.3/18.3x15.5	10.5	4.4/2.5	2	1.845
8430	20x10	6.5	6.75/1.75	2	1.46
8119	20x12	8	6/2	1	1.69
6825	20x12	9	5.5/1.5	1	1.56
8271	20x14	6	7/4	2	2.22
8473	20x15	8	6/3.5	1	2.23
8555	20x18.2	6	7/6.1	1	2.99
7058	20.1x19.6	11	4.55/4.3	2	2.64
8465	20.1/19.1x19.6	11	4.55/4.3	2.5	2.58
8146	20.2x15	10	5.1/2.5	1.5	1.99
8189	20.4x13.4	8	5.7/2.7	1	1.86
8478	20.5x18	7	6.75/5.5	1	2.95
6859	20.5x18	8.5	6/4.75	1	2.78
8148	20.83x15.75	6.35	7.24/4.7	2	2.62
8117	20.9x15.65	7	6.95/4.33	1.5	2.57
7019	20.9x20.5	9.5	5.7/5.5	1.5	3.18
7059	20.9x20.5	9.5	5.7/5.5	1.5	3.18
8403	20.9x20.5	9.5	5.7/5.5	1.5	3.18
8335	21x12	5	8/3.5	1	2.07
8469	21x12	6	7.5/3	1	1.99
8589	21x15	9	6/3	1	2.24
8315	21x16.5	7.7	6.65/4.4	1	2.67
8359	21x18	9	6/4.5	1.5	2.79
8199	21x18.2	7.45	6.77/5.37	1.5	3
8388	21.21x12.67	9.52	5.845/1.575	1.6	1.747
8410	21.5x18.5	8	6.75/5.25	1	3.099
8524	21.5x18.5	8.5	6.75/5	1	3.04
8352	22x12.24	6.35	7.825/2.945	1.52	2.11
7022	22x18	9	6.500/4.500	2	2.94
8421	22x18.9/17.7	8	7/5.45	2	3.11
7040	22x20	12	5/4	2	2.894
6895	22.2x18.3	11	5.6/3.65	0.8	2.79
8382	22.22x15.88	7.92	7.15/3.98	1.7	2.692
7075	22.4x15.5	10	6.2/2.75	1.5	2.38
6811	22.5x17.8	13	4.75/2.4	2	2.32
8476	22.7/19	8	7.35/5.5	2	3.38
8164	22.86x16.51	11.13	5.86/2.69	1.2	2.49
8284	23x12	7.5	7.75/2.25	2	2.04
8462	23x14	10	6.5/2	1.5	2.159
8198	23x15	6.55	8.22/4.22	1.5	2.78
8109	23x15	8	7.5/3.5	1.5	2.6
7083	23x15.4	10	6.5/2.7	1.5	2.45
8262	23x17.8	11.8	5.85/3	1.5	2.74
8210	23x20	8	7.5/6	1.5	3.65
8312	23.01x18.87	12.3	5.36/3.29	1.2	2.81
8218	23.5x13.98	10	6.75/1.99	1	2.23
7037	23.5x16	9	7.250/3.500	2	2.762
6803	23.5x16	9	7.25/3.5	2.5	2.73
8126	24x11	7.5	8.25/1.75	1	1.96
8566	24.5x14.35	8.9	8.25/2.725	1.6	2.683
8576	24.54x18	7.925	8.31/5.0375	1	3.5
8440	25x15	10	7.5/2.5	1	2.643
8191	25x17	6.5	9.25/5.25	1.5	3.47
8487	25x20	8	8.5/6	1	4.01
6882	25x20	11.5	6.75/4.25	1	3.52
8457	25x21	14.5	5.25/3.25	3	3.15
8514	25x23	15.5	4.75/3.75	2	3.42

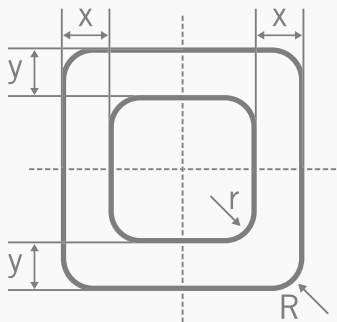
Rectangular with a round hole

NO	OD	ID	x / y	R	Kg/m
8184	25x24	12	6.5/6	1	4.34
8343	25.4x14.35	6.35	9.525/4	1.6	2.96
8398	25.4x14.35	7.92	8.74/3.215	1.6	2.798
8274	25.4x19.05	12.7	6.35/3.18	1.6	3.17
8152	25.5x18.3	9	8.25/4.65	1.5	3.59
8598	25.98x14.2	6.35	9.815/3.925	1.5	2.99
8544	26x15	8.6	8.7/3.2	2	2.937
8592	26x15.64	7	9.5/4.32	1	3.284
8493	26x17	10.5	7.75/3.25	3	3.102
8425	26x18	6	10/6	1.5	3.92
7011	26x21	11	7.500/5.000	4	3.91
8104	26.5x23.7	13.5	6.5/5.1	1	4.33
8431	27x22.5	13.5	6.75/4.5	2.5	4.103
7001	27.28x16.92	7	10.14/4.96	1	3.774
7012	27.5x23	13.5	7.000/9.500	4	4.25
7030	27.584x14.325	5.207	11.189/4.559	0.99	3.33
8161	27.84x23.42	11.3	8.27/6.06	1.58	4.92
8489	30x13	8	11/2.5	1	3.03
8243	30x22	13	8.5/4.5	1	4.7
6874	30x22	14	8/4	5	4.33
6868	30.3x23.7	12	9.15/5.85	1.5	5.4
8466	31.75x27.94	19.05	6.35/4.445	4.76	5.2
8466	31.75x27.94	19.05	6.35/4.445	4.76	5.2
7062	32x13.5	6	13/3.75	2.5	3.56
6837	32x22.5	10.5	10.75/6	1.5	5.65
8263	32.5x29	11	10.75/9	1	7.57
8432	33x17	10.5	11.25/3.25	3	4.175
6839	33x24	6.5	13.25/8.75	1.5	6.76
8499	33.78x30.63	12.7	10.54/8.965	2.38	8.05
8443	34x27	19	7.5/4	4	5.54
8486	35x15	10	12.5/2.5	1	3.98
8534	35x20	10.5	12.25/4.75	2	5.45
8468	35x21	9	13/6	1	5.99
8520	36x16	10	13/3	1	4.44
8433	37x24	8	14.5/8	1.5	7.47

Rectangular with a round hole

NO	OD	ID	x / y	R	Kg/m
8145	37x28	22	7.5/3	1.5	5.84
8296	38x35	12.7	12.65/11.15	3.5	10.66
8547	38.1x15.88	9.52	14.29/3.18	2.4	4.73
7077	38.1x19.05	6.096	16.002/6.477	2	6.2
8488	40x23	8	16/7.5	1	7.77
8569	40x23	10	15/6.5	2	7.51
7017	40.49x22.23	9.53	15.48/6.35	3	7.35
8505	40.5x22.2	9.5	15.5/6.35	3	7.34
7052	43x19	8.5	17.25/5.25	2	6.766
8240	43.5x33	15	14.25/9	3	11.2
8120	45x14	10	17.5/2	2	4.19
7003	45x35	10.5	17.25/12.25	2	13.28
8316	47.1x41	13.5	16.8/13.75	2	15.95
8295	47.7x38	12.7	17.5/12.65	3.5	14.97
8308	48x19	11	18.5/4	1.5	7.29
8515	48x24	14	17/5	2	8.89
8375	50x10	5	22.5/2.5	1.5	4.28
8137	50x35	12	19/11.5	5	14.46
8297	50.8x22.2	12.7	19.05/4.76	3.5	8.86
8464	50.8x38.1	25.4	12.7/6.35	2	12.7
8434	52x21	9	21.5/6	1.5	9.19
8226	52.2x24.5	11.11	20.54/6.69	2.38	10.52
8538	52.2x24.5	12.7	19.75/5.9	2.38	10.25
8114	53.8/53.2x39.5	15	12.25/19.4	2	17.28
8168	60.3x25.4	15.9	22.2/4.75	2	11.89
8358	60.32x25.4	12.7	23.81/6.35	3.17	12.49
8273	65x47	10	27.5/18.5	4	26.5
8543	65x47	12.7	26.15/17.15	4	26.1
8552	71x30	11	30/9.5	2	18.16
8551	71x39	11	30/14	2	23.87
8567	75x32	11	32/10.5	2	20.6
8101	82x35	12	35/11.5	2	24.6
8422	82x35	15	33.5/10	2	24
8123	95x40	15	40/12.5	3	32.3
8407	101.6x25.4	12.7	44.45/6.35	3.17	21.86

Square with a square hole



Square with a square hole

NO	OD	ID	x = y	R / r	Kg/m
8631	4.5	2.2	1.15	1/0.5	0.136
6964	4.7	2	1.35	0.8/0.25	0.158
8872	5	3	1	1/0.5	0.137
6093	5.5	3.5	1	1.5/0.5	0.147
7095	5.5	2.9	1.3	1.5/0.5	0.18
8674	5.7	3.2	1.25	0.7/0.4	0.197
8669	6	2	2	0.5/0.25	0.29
6907	6	3	1.5	1/0.25	0.232
8875	6	4	1	1/0.5	0.173
6975	6	4.7	0.65	0.5/0.25	0.122
9001	6.35	3.5	1.425	0.4/0.25	0.22
6930	6.35	3.81	1.27	0.5/0.25	0.23
8688	6.4	3.5	1.45	1/0.5	0.255
6773	6.5	3	1.75	0.5/0.25	0.3
9049	6.5	3.5	1.500	0.75/0.25	0.268
8833	6.5	4.1	1.2	0.7/0.5	0.225

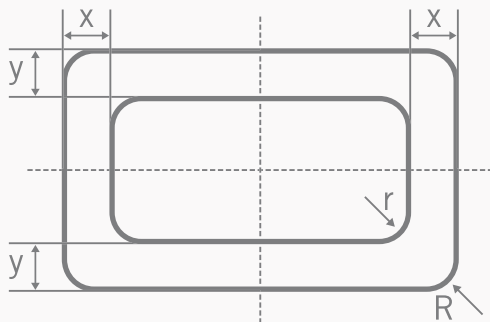
Square with a square hole

NO	OD	ID	x = y	R / r	Kg/m
8605	6.55	3.62	1.46	1/0.4	0.26
8749	7	3	2	1/0.5	0.352
6908	7	4	1.5	1/0.25	0.29
9039	7	5	1.000	1/0.5	0.209
6901	7.2	3	2.1	1/0.25	0.38
6783	7.5	4.6	1.45	0.7/0.5	0.31
8910	7.5	5.1	1.2	0.7/0.5	0.268
6083	7.85	4.39	1.73	0.79/0.25	0.38
8591	8	4	2	1/0.5	0.42
6088	8	5	1.5	1/0.25	0.34
8940	8	5.4	1.3	0.7/0.5	0.309
6976	8	5.8	1.1	0.6/0.25	0.27
8873	8	6	1	1/0.5	0.245
9095	8.255x8.255	5.255x5.255	1.5	1.5/0.5	0.347
8799	8.5	5.9	1.3	1.8/0.5	0.31
6724	8.93	5.3	1.81	1/0.25	0.46
6978	9	4.6	2.2	1/0.25	0.53
8993	9.0	6.0	1.5	1/0.5	0.4
6979	9	6.3	1.35	1/0.25	0.36
6075	9	6.5	1.25	1.5/0.38	0.34
8676	9	7	1	1.5/0.5	0.26
8740	9.5	6.5	1.5	2.5/1	0.389
6723	9.52	3.97	2.78	1/0.25	0.66
8815	10	6.6	1.7	2/1	0.456
8790	10	7	1.5	2/0.5	0.43
6980	10	8	1	0.7/0.25	0.32
6932	10.4	4.5	2.95	1/0.25	0.78
9069	10.6	7.4	1.6	1.3/0.5	0.504
9027	11	8	1.500	2/0.5	0.481
8813	11	9	1	0.9/0.5	0.353
6902	11.7	4	3.85	1/0.25	1.08
6986	12	4	4	1/0.5	1.14
6991	12	8	2	3/1	0.65

Square with a square hole

NO	OD	ID	x = y	R / r	Kg/m
6072	12.7	6.35	3.17	0.76/0.25	1.08
8641	12.7	9.44	1.63	0.76/0.3	0.64
6055	12.95	6.5	3.22	2.54/0.64	1.11
8816	13	9	2	2/1	0.763
6954	14	7	3.5	2/0.5	1.29
8909	14	9	2.5	3/0.5	0.961
9043	14.5	9.7	2.400	2.9/0.5	0.976
8898	14.7	6.3	4.2	3/1	1.515
6763	15.24	9.45	2.89	1/0.25	1.28
8878	16	11	2.5	3/0.5	1.14
8716	17.5	13.5	2	2.5/0.5	1.06
8978	17.5	14.1	1.7	1/0.5	0.944
9058	18.5	13.5	2.5	3/0.5	1.363
9017	18.5	14.1	2.200	1/0.5	1.28
8667	19	14	2.5	1.5/0.5	1.46
8752	19.05	9.53	4.76	2/0.5	2.4
6952	23	15	4	5/1	2.54
8983	24	17	3.5	1.5/0.8	2.55
9037	24	18	3.000	1.5/0.8	2.24
8870	25.4	17.78	3.81	2.5/1	2.9
7216	30	18	6	2/1	5.13
6917	30	20	5	6/1	4.2
6774	30	22	4	5/1	3.56
6710	32	20	6	7/1	5.18
8925	35	25	5	4/1	5.25
8921	38.1	25.4	12.7	6/1	6.94
8859	40	28	6	5/1	7.11
9084	50	34	8	4/1	11.9
8933	50.8	31.76	9.52	6.35/3.2	13.82
8851	50.8	38.1	6.35	6.35/1	9.79
8850	57.15	44.45	6.35	6.35/1	11.24
8741	76.2	50.8	12.7	6.35/0.79	28.53
8715	76.2	57.15	9.52	10/1	22

Rectangular with a uniform wall thickness (except stator tubes)



Rectangular with a uniform wall thickness

NO	OD	ID	x = y	R / r	Kg/m
8603	6x4	4x2	1	0.8/0.4	0.14
8760	6.6x4.5	4.6x2.5	1	0.8/0.5	0.16
8953	7/6.6x4	6.6x4/5x2	1	0.8/0.4	0.154
8638	7.5x3.05	5.8x1.35	0.85	0.3/0.25	0.131
8795	7.5x5.5	5.5x3.5	1	0.8/0.3	0.19
9050	7.5x6.5	5.1x4.1	1.2	0.7/0.5	0.247
8913	7.5x7	4.5x4	1.5	2/0.5	0.279
8981	8x5	6x3	1	1.5/0.5	0.18
6971	8x5.5	6x3.5	1	1.5/0.5	0.191
9064	8x6	6.4x4.4	0.8	1/0.4	0.171
7218	8x7	5.6x4.6	1.2	0.8/0.4	0.267
8942	8.5x6	6.5x4	1	1/0.5	0.218
8917	8.5x6.5	6.1x4.1	1.2	0.7/0.5	0.268
9071	8.5x6.7	5.9x4.1	1.3	1.2/0.5	0.283
8841	8.5x7	6.5x5	1	1.5/0.5	0.23
8848	8.5x7.5	5.9x4.9	1.3	0.7/0.5	0.31
8991	8.5x7.8	5.9x5.2	1.3	0.7/0.5	0.32
8857	8.6x5	5.6x2	1.5	1.25/0.25	0.273
8863	8.6x5	6.1x2.5	1.25	1.25/0.25	0.24

Rectangular with a uniform wall thickness

NO	OD	ID	x = y	R / r	Kg/m
8784	8.8x7.4	3.6x2.2	2.6	0.8/0.25	0.51
9066	9x6	6x3	1.5	1/0.3	0.314
9010	9x7	6x4	1.5	1/0.5	0.35
8862	9x7	6.6x4.6	1.2	0.7/0.05	0.29
8831	9x7	7.37x5.37	0.815	1/0.5	0.204
6982	9.2x6.5	6.3x3.5	1.45	0.7/0	0.328
9022	9.25x4.72	7.11x2.59	1.07	0.76/0.5	0.223
9038	9.3x8	7.16x5.86	1.07	1/0.5	0.284
9061	9.5x5.5	6.7x2.7	1.4	1/0.5	0.3
8922	9.5x8.0	6.9x5.4	1.3	0.7/0.5	0.344
6747	10x6	7x3	1.5	1.5/0.5	0.33
8980	10x7	6.5x3.5	1.75	2.5/0.5	0.38
6183	10x7	7x4	1.5	2.5/1	0.34
8971	10x7	7x4	1.5	1/0.5	0.37
8986	10x7	7x4	1.5	1/0.5	0.37
7213	10x7	7x4	1.5	1/0.5	0.37
8988	10x7	7.4x4.4	1.3	0.7/0.5	0.33
9028	10x9	7.2x6.2	1.4	1/0.5	0.4
9047	10x9.5	6.6x6.1	1.7	2/1	0.466
8961	10x9.5	7.2x6.7	1.4	0.7/0.5	0.416
8616	10.5x9.5	6.5x5.5	2	3/1	0.51
8800	11x7	8.4x4.4	1.3	1.8/0.5	0.34
8949	11x8.5	8.4x5.9	1.3	0.7/0.5	0.391
8987	11x9	6.6x4.6	2.2	1.5/0.5	0.598
9078	11x9	8x6	1.5	2/1	0.43
8943	11x9	8.2x6.2	1.4	0.7/0.5	0.429
8934	11x9.5	8.2x6.7	1.4	0.7/0.5	0.44
7211	11x10	6x5	5	1/0.5	0.709
8827	11x10	7x6	2	1.5/0.5	0.493
9097	11x10	7.8x6.8	1.6	1/0.5	0.5
9036	11x10	8x7	1.5	1/0.5	0.482
8945	11.2x10.3	6.6x5.7	2.3	1/1	0.695
8996	11.4x9.4	7.45x5.45	1.975	1/0.5	0.589
8941	11.5x7	8.9x4.4	1.3	0.7/0.5	0.367
6994	11.5x9.5	7.5x5.5	2	3/1	0.55
7209	11.5x10	7.5x6	2	2/1	0.603
9098	11.5x10		1.5	1/0.5	0.49
8652	11.63x8.33	6.3x3	2.66	1/0.5	0.69
8806	11.63x8.33	7.33x4	2.165	1/0.5	0.6
7208	11.63x8.63	7.63x4.63	2	2/0.5	0.553
9053	11.7x11.5	6.7x6.5	2.5	1.5/0.5	0.798
8881	12x6	9x3	1.5	2/0.5	0.37
9046	12x7.5	9.2x4.7	1.4	1/0.5	0.412
9060	12x8	9x5	1.5	1.2/0.5	0.447
8775	12x8	10x6	1	2/1	0.3
9034	12x9	8x5	2	1.2/0.5	0.599
9077	12x9	9x6	1.5	2/1	0.46
8985	12x9	9.4x6.4	1.3	0.7/0.5	0.426
8807	12x10	8x6	2	2/0.5	0.615
9091	12x10	8.4x6.4	1.8	1/0.5	0.586
8919	12x10	8.5x6.5	3.5	2/1	0.556
6990	12x10.5	8x6.5	2	3/1	0.6
8908	12x11	7.6x6.6	2.2	3.2/1	0.662
9015	12x11	9.2x8.2	1.4	0.7/0.5	0.503
8928	12.06x6.3	8.1x2.34	1.98	1.25/0.75	0.502
9005	12.5x8.5	9.9x5.9	1.3	0.7/0.5	0.426
7219	12.5x10	8.5x6	2	1/1	0.662
8997	12.5x11.5	7.5x6.5	2.5	1/0.5	0.844
8946	12.6x10	9.8x7.2	1.4	0.7/0.5	0.49
9070	12.6x11	8.8x7.2	1.9	1.5/0.5	0.673
6781	12.7x9.52	10.26x7.08	1.22	1.25/0.5	0.43
7200	13x7	10x4	1.5	1.5/0.3	0.44

Rectangular with a uniform wall thickness

NO	OD	ID	x = y	R / r	Kg/m
8905	13x8	9x4	2	1.5/0.3	0.59
6746	13x10	9x6	2	3/1	0.62
8992	13x10.5	10.2x7.7	1.4	0.7/0.5	0.52
9021	13x11	10.2x8.2	1.4	0.7/0.5	0.529
6148	13.28x12.57	6.43x5.72	3.43	0.64/0.64	1.16
8923	13.4x13.3	5.2x5.1	4.1	2/1	1.295
8761	13.5x10	10.5x7	1.5	2/0.5	0.52
8811	14x6	10.5x2.5	1.75	2/0.5	0.487
8944	14x9	10x5	2	0.8/0.5	0.658
8963	14x10	10x6	2	1/1	0.715
9003	14x11.2	11x8.2	1.5	0.7/0.5	0.594
9020	14x12	9x7	2.5	1.5/0.5	0.923
8843	14x12	10x8	2	1.5/0.5	0.77
8948	14x16	11x9	2.5	1.5/0.5	1.09
6993	14.29x12.7	11.85x10.26	1.22	1/0.25	0.53
9096	14.98x8.51	12.95x6.48	1.015	1/0.5	0.384
7205	15x6	12x3	1.5	1.6/0.5	0.465
8990	15x9.5	11x5.5	2	2.5/0.5	0.685
6966	15x13	11x9	2	3/1	0.8
9031	15.5x12.6	7.7x4.8	3.9	2/0.5	1.387
8627	15.7x11.5	11x6.8	2.35	1.5/0.9	0.93
8609	16x12	12x8	2	2/1	0.84
8651	16.3x5.3	14x3	1.15	1.65/0.5	0.38
6174	16.5x13	12.5x9	2	3/1	0.85
6109	16.6x10.2	10.6x4.2	3	3/0.5	1.048
8739	17x13	13x9	2	1.4/0.5	0.919
8653	17.5x10	12.5x5	2.5	3/0.5	0.94
8973	17.5x14.2	7.1x3.8	5.2	3/1	1.919
8781	18x8	12.5x2.5	2.75	2/0.5	0.98
6936	18x15	12x9	3	4/1	1.34
8659	18.4x16.8	11.4x9.8	3.5	1.5/1	1.77
6910	19x8.5	15.8x5.4	1.6	0.9/0.25	0.68
6725	19x12.4	13x6.4	3	4/1	1.25
6790	19x13.2	13x7.2	3	4/1	1.3
6968	19x17	12x10	3.5	4/0.5	1.7
8626	19.05x12.7	15.79x9.44	1.63	1.59/0.79	0.8
6163	19.5x13	15.5x9	2	3/1	0.96
9082	19.7x14.9	10.1x5.3	4.8	2/1	2.122
8751	20x8	14.5x2.5	2.75	2/0.5	1.078
8877	20x10	15x5	2.5	3/0.5	1.05
8808	20x10	16x6	2	2/0.5	0.901
6744	20x12	15x7	2.5	3.5/1	1.13
9033	20x14	16x10	2	1.5/0.5	1.7
6107	20x15	14x9	3	0.5/0.25	1.55
7207	20x18	12x10	4	3/1	2.084
8661	20.7x18.5	14.5x12.3	3.1	1.5/1	1.83
6911	21x11.5	15x5.5	3	4/1	1.31
9067	21x12	17x8	2	2.5/0.5	0.99
8824	21x13	15x7	3	3.5/0.5	1.41
8994	21x17	14x10	3.5	1/0.5	1.91
8932	21.4x15.8	10.8x5.2	5.3	2/1	2.498
7203	22x10	18x6	2	1.5/0.5	0.986
6935	22x12.5	16x6.5	3	3.5/0.5	1.44
6960	22x13.2	15.8x7	3.1	3.6/0.5	1.54
8792	22x14	15x7	3.5	4/0.5	1.69
6943	22x14.5	15x7.5	3.5	4/0.5	1.72
8720	22x16	16x10	3	4/1	1.6
6732	22x18	16x12	3	4/1	1.709
8625	22x20	14x12	4	2.5/0.5	2.39
9083	23x14	17x8	3	2.5/0.5	1.62
6934	23x14.5	16x7.5	3.5	4/0.5	1.79
8984	23.7x15.1	11.9x3.3	5.9	3/1	2.787

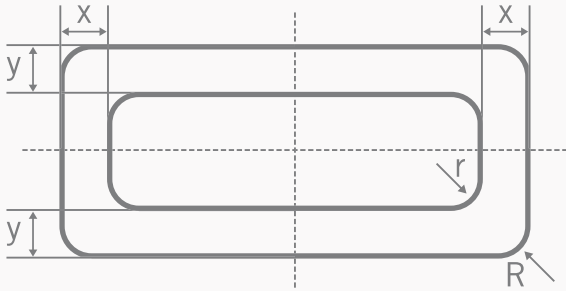
Rectangular with a uniform wall thickness

NO	OD	ID	x = y	R / r	Kg/m
8650	24x8	19x3	2.5	3/0.5	1.13
8764	24x15	17x8	3.5	4/0.5	1.88
6944	24x18	17x11	3.5	5.5/2	2.01
6708	24x21.5	16x13.5	4	5/1	2.5
8970	24x22	18/16	3	4/1	2.03
8724	25x10	21x6	2	3/1	1
9014	25x13.5	18x6.5	3.5	1/0.5	1.97
8608	25x20	20x15	2.5	3.5/1	2.13
6700	25x22	17x14	4	5/1	2.6
9029	26x17	16x7	5	1/0.5	2.94
8939	26x23	18x15	4	4/1	2.817
8929	26.57x9.02	20.73x3.18	2.92	1.25/0.75	1.55
8865	26.99x19.05	17.47x9.53	4.76	4.76/1	2.94
9080	27x14	23x10	2	2.5/0.5	1.28
8769	27.5x16.5	20.5x9.5	3.5	3.5/2	2.25
8810	28x17	23x12	2.5	3/0.5	1.72
8879	28.2x20	14.4x6.2	6.9	5/2	4.083
6916	30x20	22x12	4	5/1	2.82
6195	30x24	22x16	4	6/2	3.12
6142	30.1x14.1	26.1x10.1	2	2.8/0.8	1.42
8624	31.75x15.88	28.5x12.62	1.62	1/0.8	1.28
8757	32x16	25x9	3.5	4.5/1	2.42
6768	32x20	25x13	3.5	5.5/2	2.62
9075	32.5x16.6	28.5x12.6	2	2.5/0.5	1.57
8612	33x22	26x15	3.5	4.5/1	2.86
8968	33x28	23x18	5	2/0.5	4.53
6920	33x30	25x22	4	6/2	3.68
9092	33.58x17.7	28.5x12.62	2.54	1.3/0.5	2.09
6196	34x20	27x13	3.5	5.5/2	2.74
6950	34x30	24x20	5	6/1	4.57
8931	35x24	25x14	5	4/1	4.27
6716	35x30	25x20	5	10/5	4.6
8918	35.06x16	28.7x9.64	3.18	1.5/0.5	2.53
9035	35.4x9.4	30x4	2.7	1/0.5	1.9
9076	35.5x19.6	28.5x12.6	3.5	2.5/0.5	2.96
8729	36x16.5	30x10.5	3	4/1	2.38
6924	36x30	26x20	5	6/1	4.75
8670	36.65x31	25.45x19.8	5.6	6/0.5	5.39
8658	36.9x16	28.1x7.2	4.4	1.5/1	3.46
6722	37x20	30x13	3.5	5.5/2	2.93
9026	37x28	31x22	3	3/1	3.1
6782	38x13.15	32.1x7.25	2.95	4/1	2.27
8607	38x15	28x5	5	2/0.5	3.82
8635	38x28	28x18	5	7/2	4.62
8842	38x30	26x18	6	7/1	5.64
8822	39x8	36x5	1.5	2/0.5	1.151
6718	40x20	32x12	4	4.5/0.5	3.55
6709	40x26	32x18	4	4.5/0.5	4
8660	40.3x17.9	32.3x9.9	4	1.5/1	3.59
9054	41x21	35x15	3	2.5/0.5	2.96
6796	41x22	31x12	5	7/2	4.4
6937	41x30	31x20	5	6/1	5.19
6913	42x28	32x18	5	7/2	5.02
8710	42x30	30x18	6	7/1	6.07
6938	42x30	32x20	5	6/1	5.28
6951	42x32	30x20	6	7/1	6.3
8723	42.5x40	32.5x30	5	6/1	6.2
9016	43x35	32x24	5.5	4/1	6.63
6182	44x30	34x20	5	7/2	5.35

Rectangular with a uniform wall thickness

NO	OD	ID	x = y	R / r	Kg/m
8860	44.5x41.3	26.7x23.5	8.9	9/1	10.2
8838	45x12	37x4	4	6/2	3.26
8709	45x30	33x18	6	8/2	6.29
8787	45x30	36x21	4.5	9/4.5	4.84
8742	45x35	37x27	4	2/1	5.13
6947	46x32	30x16	8	9/1	8.27
6129	47x30	35x18	6	8/2	6.55
6915	47x30	37x20	5	7/2	5.65
6761	48x30	38x20	5	7/2	5.75
8926	48.4x30.9	35x17.5	6.7	15.45/8.75	6.65
6123	50x30	38x18	6	8/2	6.84
8632	50x30	40x20	5	7/2	5.92
8746	50x38	38x26	6	4/2	8.06
8717	50x40	40x30	5	10/5	6.58
8930	50x45	36x31	7	5/1	9.95
8845	50x45	36x31	7	8/3	9.72
8924	52x40	38x26	7	5/1	9.58
6188	53x30	41x18	6	8/2	7.18
9032	54x30	48x24	3	2.5/0.5	4.14
8927	54.4x34.8	39.2x19.6	7.6	17.4/9.8	8.47
6741	56x30	44x18	6	8/2	7.5
6780	57x40	45x28	6	7/1	8.8
8654	60x18	48x6	6	1.3/0.5	7.06
8622	60x20	52x12	4	2/0.5	5.12
6769	60x26	52x18	4	5/1	5.38
6740	60x30	48x18	6	8/2	7.9
6186	60x32	52x24	4	4.5/0.5	5.8
8640	60x40	46x26	7	8/1	10.3
8643	60x42	50x32	5	6/1	7.965
9045	60x50	46x36	14	8/2	11.55
6198	60x57	40x37	10	11/1	16.4
6124	64x29	50x15	7	10/3	9.15
6921	65x35	51x21	7	9/2	10.1
9068	68x35	58x25	5	4/0.7	8.195
8958	68x45	54x31	7	7/1	12.2
8763	68.58x29.21	62.23x22.86	3.17	3.68/0.51	5.09
6121	70x25	52x7	9	1.5/0.23	12.28
8935	70x35	50x15	10	5/1	15
9023	72x34	62x24	5	4/1	8.47
8959	72x60	50x38	11	10/4	21
8783	72.37x35.6	66.37x29.6	3	2/0.5	5.44
8866	76.2x25.4	66.68x15.88	4.76	5/1	7.65
9009	76.2x28.575	57.15x9.525	9.525	3.175/3.175	14.59
6117	76.2x38.1	72.08x33.98	2.06	2.5/0.4	3.9
9011	76.2x57.15	50.8x31.75	12.7	12.7/1	23.4
8849	76.2x57.15	57.16x38.11	9.52	10/1	18.7
8754	78.14x40.04	72.14x34.04	3	3.5/1	5.93
8705	79.15x41	72.15x34	3.5	2/1.2	7.06
8656	80.54x42.44	72.14x34.04	4.2	4/1	8.484
8708	81.14x43.04	72.14x34.04	4.5	4.5/1	9.12
8951	82.14x44.04	72.14x34.04	5	5/0.5	10.19
8911	84.14x27.2	72.14x15.2	6	5/1	10.47
8762	85.6x47	77.2x38.6	4.2	4/1	9.3
9007	86x50	72x36	7	8/1	14.8
8856	88.9x25.4	79.38x15.88	4.76	11.1/6.34	8.28
8967	88.9x41.28	57.15x9.525	15.875	6.3/1	27.64
9041	88.9x50.8	66.7x28.6	11.1	12.65/1	22.26
9040	95x48	77x30	9	8/1	19.63
9093	120x65	110x55	5	5/1	15.46

Stator tubes



Stator tubes					
NO	OD	ID	x = y	R / r	Kg/m
8727	5.2x5	3.2x3	1	1/0.5	0.141
8684	5.26x3.81	2.72x1.27	1.27	1.14/0.25	0.143
8719	5.4x3.9	3.6x2.1	0.9	0.8/0.3	0.116
8620	5.69x3.91	3.14x1.37	1.27	1.14/0.25	0.116
8962	5.9x4.6	3.5x2.2	1.2	0.8/0.25	0.17
8782	5.9x5	3.9x3	1	0.5/0.5	0.16
8938	5.97x3.94	3.73x1.702	1.12	0.64/0.2	0.151
6949	6x3.8	4x1.8	1	0.75/0.4	0.136
8829	6x4	3.6x1.6	1.2	1.2/0.3	0.153
9072	6.04x3.81	3.5x1.27	1.27	1.27/0.25	0.154
6988	6.05x3.81	3.51x1.27	1.27	1.14/0.25	0.167
8721	6.1x3.9	3.9x1.7	1.1	1/0.35	0.147
8759	6.1x3.95	3.7x1.55	1.2	1.27/0.4	0.153
8758	6.1x4.5	3.5x1.9	1.3	1.27/0.4	0.175
8902	6.15x3.68	4.06x1.6	1.04	0.76/0.3	0.14
8903	6.15x4.12	3.76x1.73	1.19	0.76/0.3	0.16
8920	6.17x3.63	3.63x1.09	1.27	1/0.25	0.158
6997	6.2x3.5	4x1.3	1.1	0.8/0.4	0.144
6998	6.2x4.4	3.6x1.8	1.3	0.8/0.4	0.176
8789	6.3x3.9	4.1x1.7	1.1	1/0.35	0.15
8852	6.3x4.2	3.9x1.8	1.2	1.2/0.3	0.163
8828	6.4x3.5	4.4x1.5	1	1.2/0.3	0.131
8601	6.4x4.4	4x2	1.2	0.8/0.5	0.147
7215	6.4x4.6	4x2.2	1.2	1.5/0.4	0.169
8602	6.45x3.44	4.5x1.3	0.98	0.8/0.4	0.139
6972	6.5x4	4.5x2	1	0.8/0.5	0.149
8972	6.6x3.94	3.96x1.3	1.32	0.75/0.5	0.184
8966	6.65x4.15	4.1x1.6	1.275	1.27/0.4	0.177
8965	6.65x4.5	3.7x1.55	1.475	1.27/0.4	0.205
6906	6.7x4.5	4.7x2.5	1	0.8/0.5	0.16
8681	6.76x3.82	4.22x1.28	1.27	1/0.25	0.175
8682	6.76x5.21	4.22x2.67	1.27	1/0.25	0.207
8767	6.8x3.8	4.6x1.6	1.1	1.27/0.4	0.154
8766	6.8x4.2	4.3x1.7	1.25	1.27/0.4	0.179
8665	6.8x4.5	4.8x2.5	1	0.8/0.5	0.164
8617	6.85x4.85	3.85x1.88	1.5	1.27/0.4	0.224
6969	6.9x4.1	4.4x1.6	1.25	0.75/0.25	0.186
6970	6.9x5.88	4.4x3.38	1.25	0.75/0.25	0.227
8736	7x3.85	4.7x1.55	1.15	1.27/0.4	0.165
8796	7x3.9	4.8x1.7	1.1	1/0.25	0.16
8735	7x4.3	4.4x1.7	1.3	1.27/0.4	0.191
9063	7x4.3	4.7x2.0	1.15	1.27/0.4	0.174
8672	7x5.1	4.5x2.6	1.25	1/0.4	0.208
8725	7.1x3.9	4.9x1.7	1.1	1/0.25	0.165

Stator tubes					
NO	OD	ID	x = y	R / r	Kg/m
9057	7.15x4.15	4.55x1.55	1.3	1.27/0.4	0.191
9056	7.15x4.7	4.15x1.7	1.5	1.27/0.4	0.226
9042	7.18x4	4.8x1.6	1.190	1/0.5	0.182
9055	7.2x4.5	4.8x2.1	1.2	1.25/0.4	0.188
6752	7.24x3.99	4.8x1.55	1.22	1.27/0.32	0.18
8832	7.3x3.9	5.1x1.7	1.1	1/0.25	0.17
8618	7.3x4.5	5.3x2.5	1	0.75/0.5	0.175
8677	7.35x4.35	4.55x1.55	1.4	1.27/0.4	0.212
9044	7.4x5	4.4x2	1.5	1/0.2-0.5	0.246
8974	7.4x5	4.4x2	1.5	1/0.5	0.246
8606	7.4x5	4.4x2	1.5	1.15/0.4	0.25
8847	7.5x3.4	5.5x1.4	1	1.2/0.3	0.15
8855	7.5x3.9	5.3x1.7	1.1	1/0.25	0.17
9062	7.5x4.5	5.2x2.2	1.15	1/0.5	0.194
8890	7.5x4.7	4.8x2	1.35	1.2/0.3	0.218
7212	7.5x5	4.5x2	1.5	1/0.4	0.248
6953	7.59x3.2	5.49x0.99	1.05	0.6/0.2	0.166
8867	7.6x4.4	4.6x1.4	1.5	1.2/0.4	0.23
6784	7.62x4.06	5.08x1.52	1.27	0.76/0.25	0.206
6985	7.62x4.62	5.08x2.08	1.27	0.76/0.25	0.215
6150	7.62x5.59	4.06x2.03	1.78	1.27/0.76	0.3
6785	7.62x5.66	5.08x3.12	1.27	0.76/0.25	0.242
8982	7.7x4	5.1x1.4	1.3	1.1/0.4	0.203
8947	7.7x4.16	5.3x1.80	1.2	1/0.4	0.197
8770	7.8x4.5	5.6x2.3	1.1	0.9/0.5	0.199
9008	7.85x4.8	5.15x2.10	1.35	1.27/0.5	0.23
6134	7.87x3.81	5.33x1.27	1.27	1.02/0.51	0.17
8793	7.9x3.5	5.9x1.5	1	1.2/0.3	0.16
8858	7.95x3.99	5.21x1.25	1.37	0.78/0.38	0.22
8871	7.95x3.99	5.49x1.52	1.23	0.78/0.38	0.205
8755	8x3.9	5.8x1.7	1.1	1/0.25	0.184
6141	8x4.5	6x2.5	1	0.7/0.4	0.19
8645	8x4.6	5x1.6	1.5	1/0.4	0.253
8637	8x5.5	6x3.5	1	0.8/0.4	0.202
8678	8.05x4.45	5.55x1.95	1.25	1.27/0.4	0.213
7214	8.15x4	5.85x1.7	1.15	0.9/0.4	0.198
9030	8.2x4.5	5.7x2	1.250	1.27 /0.25	0.216
9004	8.2x4.9	5.3x2	1.45	1.2/0.25	0.254
8750	8.23x3.94	5.97x1.65	1.14	1.27/0.4	0.19
8726	8.23x3.96	6.45x2.18	0.89	1.27/0.26	0.15
8798	8.3x4	6.3x2	1	0.5/0.3	0.18
8714	8.35x4.55	5.35x1.55	1.5	1.27/0.4	0.255
8713	8.35x5	4.9x1.55	1.725	1.27/0.4	0.295
6757	8.38x3.81	5.84x1.27	1.27	1.2/0.5	0.205
8730	8.5x3.9	6.3x1.7	1.1	1/0.25	0.193
6190	8.5x4.5	6.5x2.5	1	0.5/0.5	0.19
8995	8.59x5	5.8x2.2	1.4	1/0.4	0.264
9050	8.6x4.0	6.6x2	1.000	1/0.5	0.184
8804	8.6x4.1	6x1.5	1.3	1.2/0.3	0.22
8779	8.6x4.4	6x1.8	1.3	1.27/0.4	0.23
8778	8.6x4.85	5.65x1.9	1.475	1.27/0.4	0.27
8999	8.6x4.85	5.65x1.9	1.475	1/0.5	0.266
6914	8.64x4.57	5.59x1.52	1.52	1/0.4	0.268
9048	8.65x4.2	6.35x1.9	1.150	0.9 /0.3	0.21
8712	8.65x4.5	5.75x1.6	1.45	1.27/0.4	0.255
8711	8.65x5.45	5.5x2.3	1.575	1.27/0.4	0.298
8728	8.8x4	6.8x2	1	0.5/0.7	0.195
8734	8.85x4.7	5.95x1.8	1.45	1.27/0.4	0.265
8733	8.85x5.05	5.6x1.8	1.625	1.27/0.4	0.298
6961	8.89x4.06	6.35x1.52	1.27	1/0.4	0.229
6992	8.9x4.5	7.1x2.7	0.9	0.5/0.5	0.19
8771	8.9x5	5.9x2	1.5	0.9/0.5	0.292

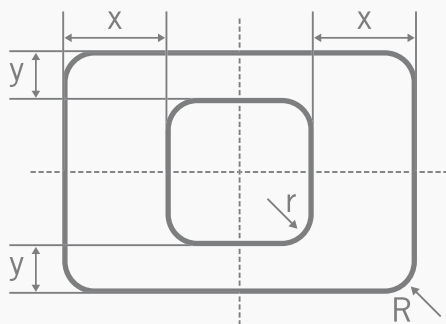
Stator tubes

NO	OD	ID	x = y	R / r	Kg/m
6788	9x3.5	7x1.5	1	0.5/0.5	0.206
8629	9x3.5	7x1.5	1	0.8/0.5	0.185
9099	9x3.6	7x1.6	1	1.15/0.5	0.183
8797	9x3.9	6.8x1.7	1.1	1/0.25	0.2
8979	9x4.06	6.46x1.52	1.27	0.8/0.3	0.235
6779	9x4.5	7x2.5	1	0.5/0.5	0.206
8662	9x4.75	5.9x1.65	1.55	1.27/0.4	0.283
8663	9x5.4	5.5x1.9	1.75	1.27/0.4	0.329
8703	9.01x3.75	6.47x1.21	1.27	1/0.5	0.225
6125	9.14x4.57	6.1x1.52	1.52	0.76/0.5	0.274
8706	9.15x3.75	6.46x1.2	1.275	1/0.5	0.224
6900	9.2x4.5	7.2x2.5	1	0.5/0.5	0.209
9022	9.25x4.72	7.11x2.59	1.070	0.76 /0.5	0.223
8837	9.25x5.05	6.45x2.25	1.4	0.8/0.4	0.283
6789	9.27x4.06	6.73x1.52	1.27	0.5/0.25	0.247
8745	9.4x4.5	7.4x2.5	1	0.5/0.5	0.213
6143	9.4x4.5	7.4x2.5	1	1/0.3	0.212
9086	9.5x4	7.8x2.3	0.85	1.25/0.5	0.169
9024	9.5x4.4	6.9x1.8	1.300	1/0.2	0.256
8960	9.52x3.91	6.63x1.52	1.195	1/0.25	0.235
6959	9.53x4.06	6.99x1.52	1.27	1/0.4	0.242
6754	9.53x4.7	6.99x2.16	1.27	0.76/0.25	0.26
8743	9.65x4.06	7.11x1.52	1.27	1/0.25	0.246
8744	9.65x4.63	7.11x2.09	1.27	1/0.25	0.259
8801	9.7x3.9	7.5x1.7	1.1	1/0.25	0.22
9087	9.8x4.3	7.8x2.3	1	1.25/0.5	0.206
8835	10x3.9	7.8x1.7	1.1	1/0.35	0.223
6799	10x4	8x2	1	0.8/0.5	0.212
8691	10x4	8x2	1	1.5/0.5	0.2
8846	10x4.2	7.4x1.6	1.3	1/0.5	0.264
8998	10x4.5	7.6x2.1	1.2	1.25/0.4	0.254
8975	10x5	7x2	1.5	1/0.5	0.316
8673	10x5	8x3	1	0.8/0.3	0.224
8971	10x7	7x4	1.5	1/0.5	0.37
9052	10.16x3.81	7.62x1.27	1.270	1/0.5	0.25
6755	10.16x3.81	7.62x1.27	1.27	1.2/0.5	0.25

Stator tubes

NO	OD	ID	x = y	R / r	Kg/m
6128	10.16x4.57	7.11x1.52	1.52	0.76/0.25	0.31
8826	10.3x3.9	8.1x1.7	1.1	1/0.35	0.229
8830	10.3x4.4	8.1x2.2	1.1	1.2/0.3	0.235
6793	10.41x3.81	7.87x1.27	1.27	0.76/0.25	0.266
8679	10.5x3.8	8x1.3	1.25	1/0.5	0.255
8817	10.5x4	7.9x1.4	1.3	1/0.5	0.271
6984	10.51x4	7.97x1.46	1.27	1/0.25	0.267
8668	10.51x4.95	7.21x1.65	1.65	1/0.25	0.351
8814	10.6x4	8.2x1.6	1.2	1.35/0.65	0.251
8697	10.67x5.59	7.11x2.3	1.78	1/0.5	0.395
8964	11x3.88	8.41x1.29	1.29	1.25/0.4	0.274
6999	11x4	9x2	1	0.75/0.5	0.255
6706	11x4.5	9x2.5	1	1/0.5	0.235
6133	11.18x5.08	8.13x2.03	1.52	1.27/0.76	0.34
8772	11.41x3.72	8.89x1.2	1.26	1/0.5	0.278
8936	11.5x4.9	9x2.4	1.25	1.2/0.5	0.302
8619	11.5x4.9	9x2.4	1.25	1.27/0.76	0.3
6792	11.58x3.86	9.04x1.32	1.27	0.76/0.25	0.295
8621	11.6x4.9	9.1x2.4	1.25	0.8/0.5	0.313
8976	11.6x5	8.6x2	1.5	1/0.5	0.359
9094	11.8x4.5	9.8x2.5	1	1.25/0.4	0.245
8636	11.94x5	8.28x1.34	1.83	1/0.25	0.427
8768	12x4.5	9.5x2	1.25	0.8/0.5	0.31
9006	12x4.5	9.6x2.1	1.2	1.27/0.5	0.29
8666	12x4.5	10x2.5	1	0.8/0.5	0.257
8604	12x4.9	9.5x2.4	1.25	1.35/0.65	0.31
8639	12.1x4.9	9.6x2.4	1.25	0.8/0.5	0.32
8864	12.2x5.1	9.5x2.4	1.35	1/0.5	0.347
8868	12.2x5.1	9.5x2.4	1.35	1.2/0.5	0.343
8977	12.5x9	9.7x6.2	1.4	0.7/0.5	0.466
8644	13x4.5	11x2.5	1	0.8/0.5	0.275
8765	13.3x5.6	10.2x2.5	1.55	0.75/0.5	0.435
6173	13.72x4.57	10.67x1.52	1.52	1/0.55	0.4
6989	14.3x6.3	11.8x3.8	1.25	1/0.25	0.397
6909	15.8x5.4	13.3x2.9	1.25	1/0.25	0.405
6166	16.4x5.8	14x3.3	1.25	1.4/0.2	0.4

Rectangular with a non uniform wall thickness



Rectangular with a non uniform wall thickness

NO	OD	ID	x / y	R / r	Kg/m
9090	10x4	6x2	2/1	OR/IR	0.245
7206	10x6	6.5x3	1.75/1.5	1/0.5	0.346
9018	10x6	6.5x3.5	1.75/1.25	1.5/0.4	0.318
9019	12.5x6	8.5x3	2/1.5	1.5/0.5	0.427
7202	12.5x8	8.5x5	2/1.5	1.5/0.5	0.498
8675	13.28x12.57	6.48x7.19	3.4/2.69	1.5/0.4	1.08
8693	14x6	8x3	3/1.5	0.64/0.64	0.52
8748	14.07x14.07	6.35x7.85	3.86/3.11	1.5/1.5	1.32
7210	15x7.5	11x4.4	2/1.55	0.63/0.63	0.566
9013	17x10	7x3.25	5/3.375	1.4/1	1.287
8957	18.3x12.9	9.15x6.86	4.575/3.02	2/0.5	1.535
6157	19x15	11x11	4/2	1.57/0.76	1.49
6922	19.5x17.5	12x11	3.75/3.25	1/2	1.86
9079	19.75x10	15x6	2.375/2	1/0.5	0.896
8899	20x17	9x4	5.5/6.5	3/0.5	2.656

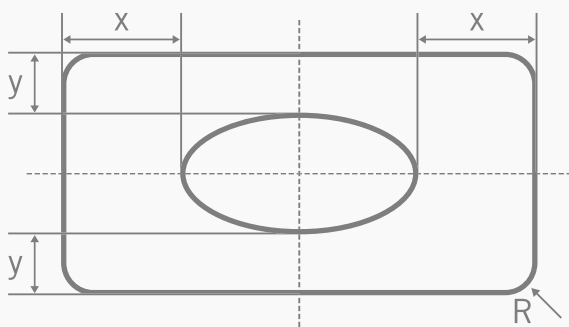
Rectangular with a non uniform wall thickness

NO	OD	ID	x / y	R / r	Kg/m
8694	21x6	8x3	6.5/1.5	3/1	0.9
6736	21x9.7	13.5x5.7	3.75/2	1.5/1.5	1.13
6923	21x16	14x10	3.5/3	1/1	1.75
6939	21x20	11x13	5/3.5	1/0.5	2.47
9085	22x10	16x6	3/2	1/0.8	1.09
6940	24x16.5	18x10	3/3.25	1.5/0.5	1.93
6925	24x21	16x11	4/5	1/0.8	2.92
8738	24.6x6.7	17x3.5	3.8/1.6	1.75/0.8	0.942
6193	24.99x23.01	15.01x14	4.99/4.5	0.8/0.8	3.33
6711	26x16	14.2x11.6	5.9/2.5	1.75/1	2.48
6712	26x17	16x11	5/3	1/4	2.48
6191	26.01x22	14x15.01	6/3.49	1/4	3.22
6192	27x21.49	14x15.01	6.5/3.24	1.75/1	3.28
6713	28x16.6	18x11	5/2.8	1.75/1	2.48
8916	28x16.9	22x9.4	3/3.75	1/4	2.4
6714	28x17	18.8x11.2	4.6/2.9	1/2	2.47
6177	28.98x25.5	19.99x14.48	4.49/5.51	1/4	4.01
8901	29x11.5	23x5.5	3/3	2.75/1	1.85
8731	29x16.5	22x9	3.5/3.75	1/1	2.49
6175	29.01x24.99	16x17.98	6.5/3.5	1.5/0	3.89
9059	29.4x11.3	22.2x5.8	3.6/2.75	2.75/1	1.81
6956	29.4x11.4	22.2x6.2	3.6/2.6	1.5/1.2	1.77
8671	29.6x6.3	14.4x3.7	7.6/1.3	0.8/0.8	1.18
6926	30x16	22.5x8	3.75/4	1.25/0.5	2.67
6176	30x24.51	17.98x16	6.01/4.25	1.75/0.8	3.98
8657	30.4x13.8	18.3x6	6.05/3.9	2.75/1	2.76
9065	30.7x20.7	20x10.5	5.35/5.1	1.6/1	3.8
6194	32x18.49	19.99x10.01	6/4.24	1/1	3.36
6912	32.6x8	25.3x4.2	3.65/1.9	1.75/1	1.38
9073	33.579x17.404	28.499x12.624	2.54/2.39	0.8/0.8	1.92

Rectangular with a non uniform wall thickness

NO	OD	ID	x / y	R / r	Kg/m
6987	35x8.2	9x4	13/2.1	3.5/1	2.27
6955	35.4x9.3	25.2x5.3	5.1/2	1/2	1.8
8915	35.5x13.4	25.1x8.7	5.2/2.35	0.8/2.65	2.41
9012	35.5x15.5	24x5	5.75/5.25	1.5/4	3.83
6178	35.99x21	27x11	4.49/5.51	1/0.5	4.08
8900	36.5x9.2	25.1x5	5.7/2.1	2.75/1	1.9
8839	37.25x10	12x4	12.625/3	1/2	2.9
6184	40x16	18x10	11/3	1.3/2	4
6151	40x20	18x12	11/4	5/1	5.14
8642	40x30	25x20	7.5/5	3/1	6.24
8989	40x32	18x22	11/5	2.5/1	7.72
6171	40x33	18x23	11/5	5/1	7.95
6929	40x35	18x25	11/5	5/1	8.3
8664	40x35	20x27	10/4	5/1	7.5
8634	40x36	20x28	10/4	5/1	7.69
8812	40x40	30x20	10/5	5/1	8.76
6701	43x40	33x18	5/11	5/1	9.9
8680	43x40	35x16	4/12	5/1	10.19
6903	50x10	15x5	17.5/2.5	5/1	3.82
8649	50x30	34x22	8/4	2/2.5	6.54
8647	50x34	34x26	8/4	5/1	7.12
8648	50x38	34x30	8/4	5/1	7.69
8722	50x48	30x38	10/5	5/1	11.1
8794	53x40	43x20	5/10	5/1	11.08
6973	57x40	47x20	5/10	5/1	11.8
6731	60x16	19.8x6.3	20.1/4.85	5/1	7.5
8823	66x40	56x18	11/5	1/3.15	14.41
6164	80x40	70x18	5/11	5/1	16.5
8695	80x61	61.5x42	9.25/9.5	5/1	19.85
6983	103.15x47	85x28	9.075/9.5	8/1	21.3

Rectangular with an oval hole



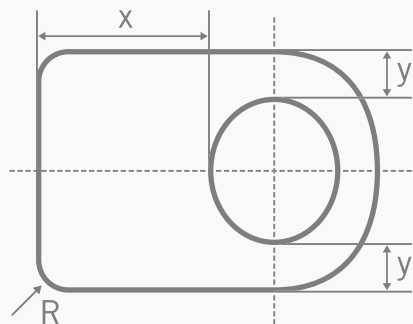
Rectangular with an oval hole

NO	OD	ID	x / y	R	Kg/m
8773	12x7.8	7x3.8	2.5/2	2.5	0.600
8791	16.2x11.4	10x5	3.1/3.2	2	1.270
8519	17.3/16.7x11.5	5.2x3.6	6.05/3.95	1	1.620
6941	19.5x15	8.38x6.85	5.56/4.07	1	2.200

Rectangular with an oval hole

NO	OD	ID	x / y	R	Kg/m
8737	20x12	12.6x7	3.7/2.5	1	1.520
8683	23x8	12x5	5.5/1.5	4	1.100
6942	23.5x12	11.43x5.2	6.03/3.4	1	2.090
8630	24x12.7	15x8	4.5/2.35	1	1.870
6765	24.5x11.6	18.9x7.6	2.8/2	1.6	1.510
8646	25x8	14x5	5.5/1.5	4	1.170
8844	25x20	16x10	4.5/5	1	3.220
8704	27x8	16x5	5.5/1.5	4	1.250
6905	30x14	18x10	6/2	1	2.200
6721	32.6x17.5	20x10.2	6.3/3.65	2.5	3.600
6155	33x17.2	19x9.5	7/3.85	1	3.780
6156	33x17.2	19x9.5	7/3.85	2.5	3.740
6733	33x17.2	21x9.5	6/3.85	1	3.650
6734	33x17.2	21x9.5	6/3.85	2.5	3.600
8774	34.7x12.14	11.3x7.06	11.7/2.54	1	3.200
8633	35.97x12.14	14.07x7.06	10.95/2.54	1	3.200
8803	38x26.7	20x14	9/6.35	2.5	7.060
8821	41x20.7	27.2x14	6.9/3.35	0.5	4.912
8802	45.5x22	28x10	8.75/6	2.5	6.930
6957	65.75x23.75	16x12	24.88/5.88	2	12.53
6958	79.75x19.75	16x12	31.88/3.88	2	12.70
8753	111x17	18x7	46.5/5	4	15.90

D-profiles



D-profiles					
NO	OD	ID	x / y	IR	Kg/m
9533	17.5x10	7	9/1.5	1	1.12
9509	19x11.5	7.5	9.5/2	1	1.44
9534	21x14	10	9/2	1	1.73
9507	22x8.5	6	14.5/1.5	1	1.39
9501	22x14.5	10	9.5/2.25	1.5	1.93
9518	23x16	11	9.5/2.5	5	2.1
9502	25x15	10	12.5/2.5	5	2.32
9500	25x17	12	10.5/2.5	5	2.4
9551	25x19	13	9/3	2	2.72
9504	25x19	14	8.5/2.5	5	2.43
9558	26.5x12	9	16/1.5	0.5	2.14
9523	27x13	9	15/2	2	2.42
9553	28x14	10	15/2	1.5	2.6
9535	28x18	13	12.5/2.5	4	3
9521	28x22	16	9/3	5	3.15

D-profiles					
NO	OD	ID	x / y	IR	Kg/m
9532	29x15	11	15.5/2	1.5	2.8
9540	29x20	14	12/3	4	3.36
9503	30x18	13	14.5/2.5	5	3.29
9543	30x21	15	12/3	2.5	3.6
9515	30x22	16	11/3	5	3.53
9505	30x24	17	9.5/3.5	5	3.78
9572	30x25	17	9/4	5	3.98
9524	31x17	12	16/2.5	1.5	3.43
9506	32x23	17	12/3	4	4
9536	32x23	17	12/3	4	3.98
9511	32x25	19	10/3	5	3.93
9513	32x26	18	10/4	2	4.48
9508	32x27	19	9/4	5	4.4
9531	32.5x18	13	16.5/2.5	2	3.71
9545	33x26	20	10/3	5	4.13
9519	34x20	14	17/3	2	4.32
9530	34x25	19	12/3	4	4.4
9570	35x30	20	10/5	5	5.6
9525	36x22	16	17/3	2	4.82
9574	36x27	19	13/4	4	5.39
9549	37x25	19	15/3	2	5.12
9517	37x28	22	12/3	4	5.3
9544	38x30	25	10.5/2.5	2.5	4.92
9566	39x30	19	14.5/5.5	2	7.04
9527	39x31	23	12/4	4	6
9510	42x30	22	16/4	2.5	7
9537	42x34	26	12/4	4	6.85
9538	45x38	30	11/4	4	7.52
9526	47x40	32	11/4	4	8.06
9539	54x50	36	11/7	5	12.5
9516	55x43	30	18.8/6.5	4	12.97
9565	64x60	46	27/7	7	15.8
9522	73x70	56	10/7	10	18.6

Luvata Pori Oy
 Kuparitie 5
 P.O. Box 60
 FI-28101 Pori
 Finland
 Tel: +358 2 626 6111
 Fax: +358 2 626 5309

